

alphashot
design integration

A - 104, Elanza Crest,
Sindhu Bhavan Road, Bodakdev,
Ahmedabad - 380054
India

svs@alphashotdesign.com | info@alphashotdesign.com

+91 98259 77799

alphashot
design integration

Weapon System

Company Overview

The promoters of AlphaShot Design Integration LLP bring with them several decades of extensive experience in manufacturing and management across diverse industries.

The company was established with a focused vision: to design and develop indigenous technologies that cater to the requirements of India as well as other developing and developed nations.

Backed by a large team of highly skilled engineers in mechanical, electronics and software engineering, AlphaShot is well-equipped to take on complex challenges in cutting-edge technology development.

Key areas currently under design and development include:

- Attack quadcopters, grenade delivery systems and other munitions
- Miniature body-worn quadcopter/drone detectors
- Quadcopter directional locators
- All-terrain robotic platforms

REMOTELY CONTROLLED WEAPON SYSTEM (RCWS)

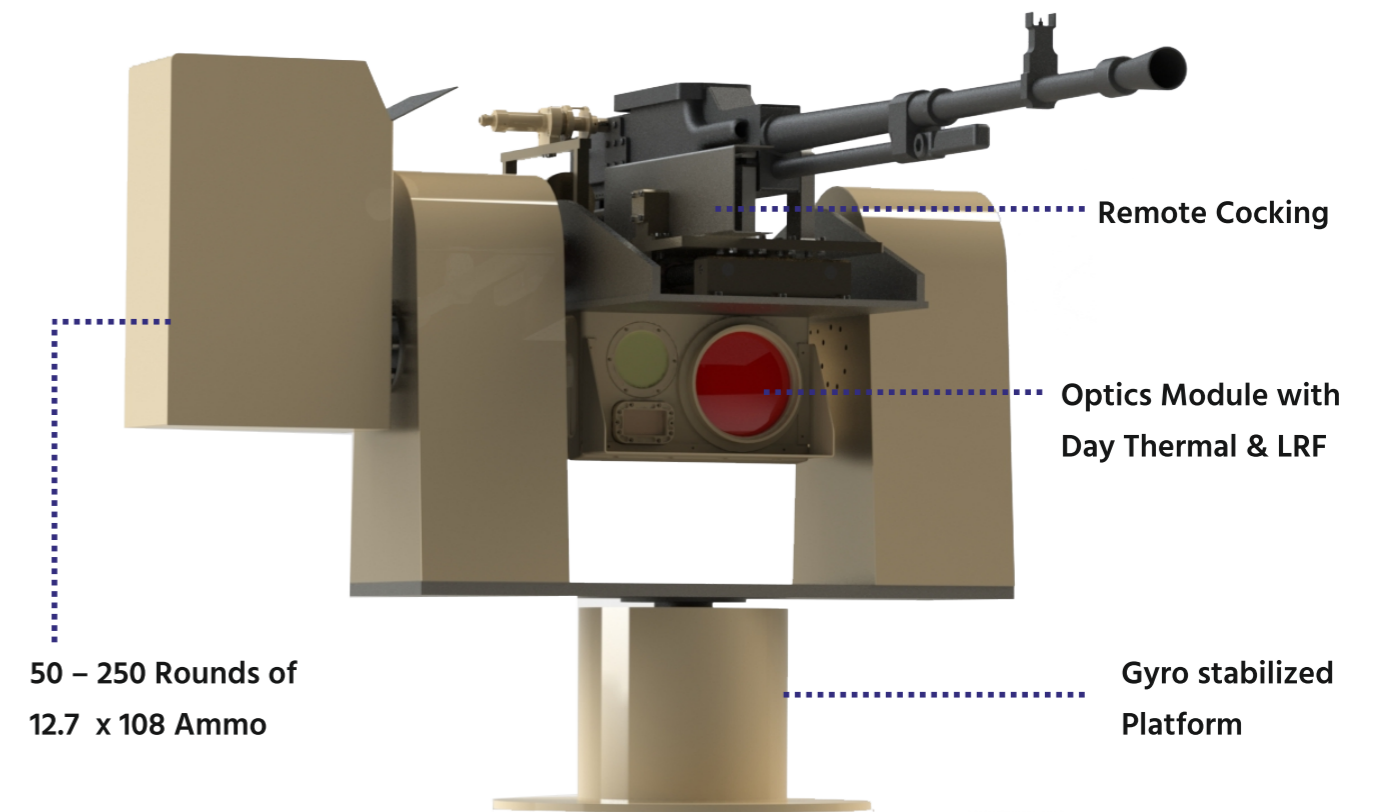
Indigenously designed and developed in India for the following weapon platforms:

12.7 mm NSVT / KORD weapon, Modifiable for a M2 HMG

Brief details of the RCWS specifications:

- Remotely Controlled 12.7 Heavy Machine Gun
- Compatible in service weapons 12.7 NSVT / Kord
- Modifiable for of M2 HMG
- Remote Cocking, Safety latch and firing
- Remote positioning, aiming and distance measurement with the help of Day + Thermal Optics & LRF
- Remote firing from the safety of an armored vehicle
- Elevation control from -7 degree to +75 degree / Azimuth n x 360 degree
- Internal to cabin multifunctional display and targeting
- Gyro Stabilized Platform with optical object tracking
- Entire control via Gunner Joystick

Remote Safety Latch Operation



RCWS control, simple, effective from the safety of an Armored Vehicle such as a Tank

